

SHOWER  
Pressure Balancing Shower  
System - Tub and Shower  
**G-7270-LM47S**

---

**GRAFF**<sup>®</sup>

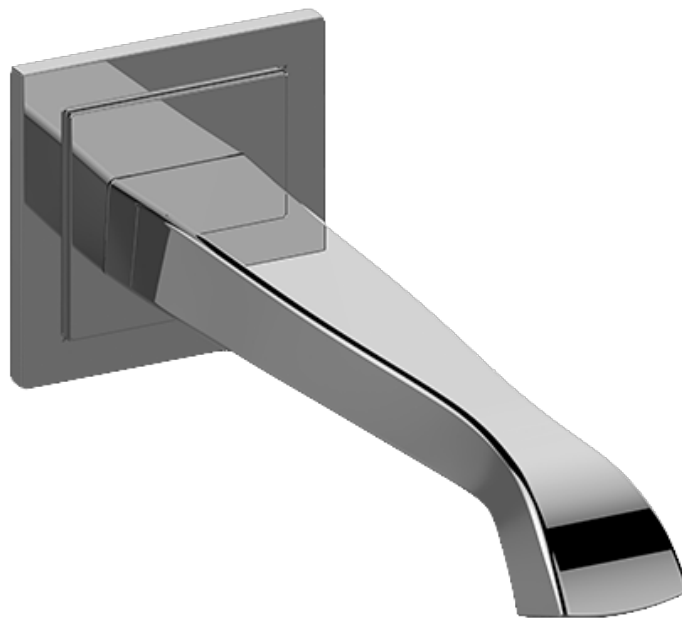


## Information

- 1/2" pressure balance valve with diverter and trim
- 9" showerhead with 12" wall-mounted shower arm
- Showerhead features no-clog, easy-clean spray nozzles
- 8" matching Finezza collection tub spout
- Optional extension kit
- Showerhead flow rate  $\leq 1.8$  max gpm
- ADA
- CALGreen

SHOWER  
8" Finezza Tub Spout  
**G-6865**

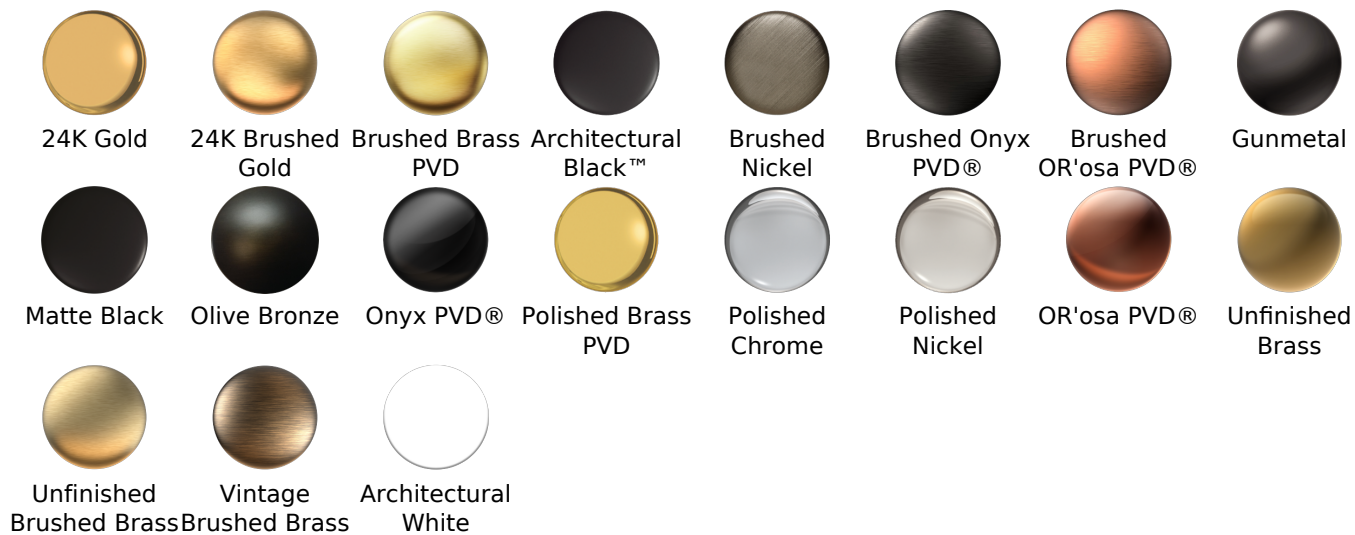
**GRAFF®**



**Information**

- Includes spout ring
- 1/2" NPT male thread inlet
- Tub spout flow rate ~ 12.4 gpm @60 psi
- Matches Finezza UNO and Finezza DUE Collections

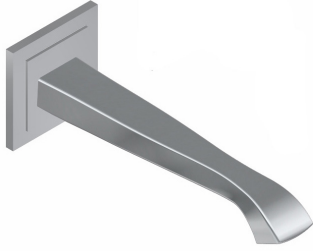
**Finishes**



## G-6865

Finezza Collection  
8" Finezza Tub Spout

# GRAFF®



### Product Features

- Includes spout ring
- 1/2" NPT female thread inlet
- Matches Finezza UNO and Finezza DUE Collections
- Tub spout flow rate ~ 12.4 gpm @60 psi

### Available Finishes

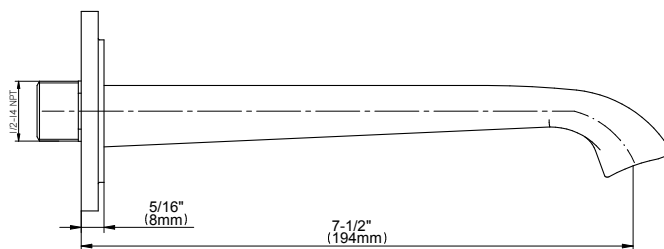
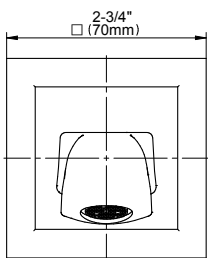
- Polished Chrome  
G-6865-PC
- Brushed Nickel  
G-6865-BNi
- Polished Nickel  
G-6865-PN
- Olive Bronze  
G-6865-OB
- Unfinished Brass\*  
G-6865-UB\*
- Gold\*  
G-6865-AU\*
- Brushed Gold\*  
G-6865-BAU\*

\* Special order finish- call for availability

### Warranty

- Limited lifetime warranty

For complete warranty information go to <https://www.graff-faucets.com/en/info/faqs>



The measurements shown are for reference only. Products and specifications shown are subject to change without notice. Revised 5/2018.

[www.graff-designs.com](http://www.graff-designs.com) | phone: 800-954-4723

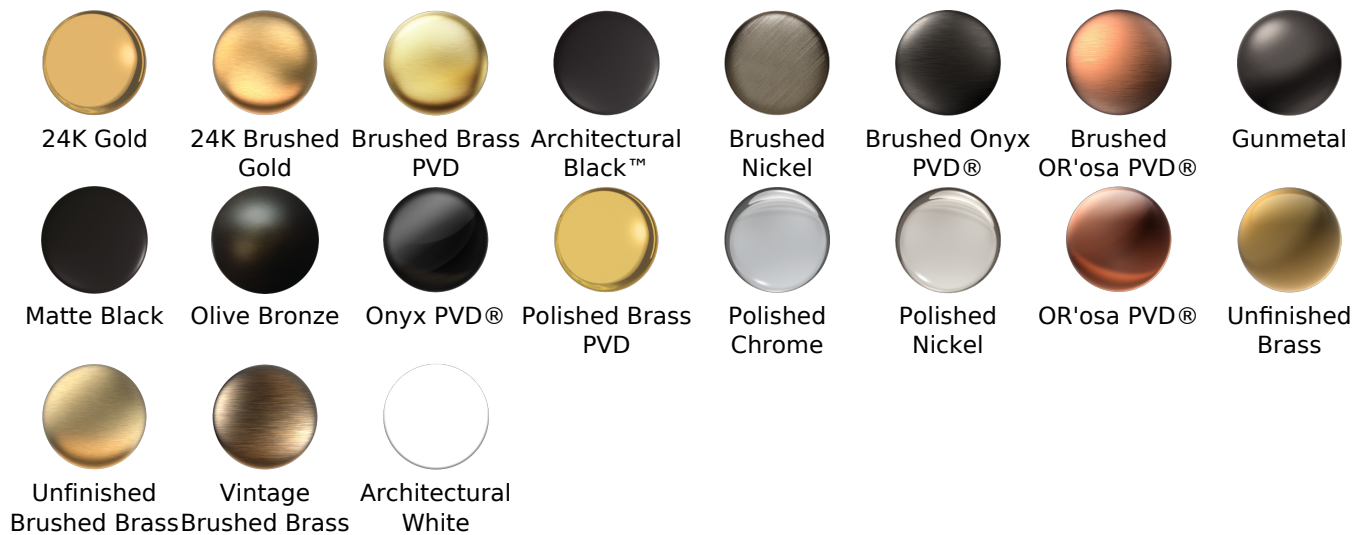
SHOWER  
 Concealed Pressure Balancing  
 Valve Rough w/Diverter  
**G-7055**



**Information**

- Anti-scald protection
- 1/2" universal inlets/outlets with male threads
- Built-in service stops
- Push-button diverter
- For use with tub & shower configuration
- Supplied with protective plastic guard

**Finishes**





## G-7055

1/2" Rough Valve w/Diverter



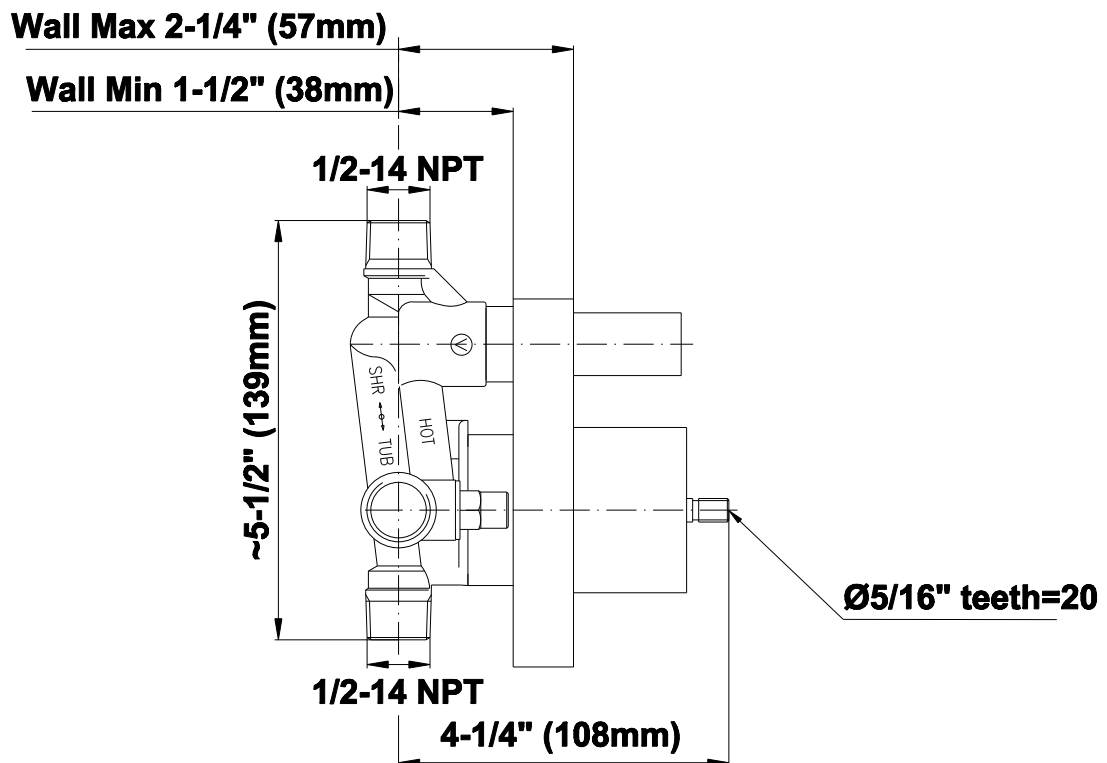
### Product Features

- Anti-scald protection
- 1/2" universal inlets/outlets with male threads
- Built-in service stops
- Push-button diverter
- For use with tub & shower configuration
- Supplied with protective plastic guard

### Warranty

- Limited lifetime warranty

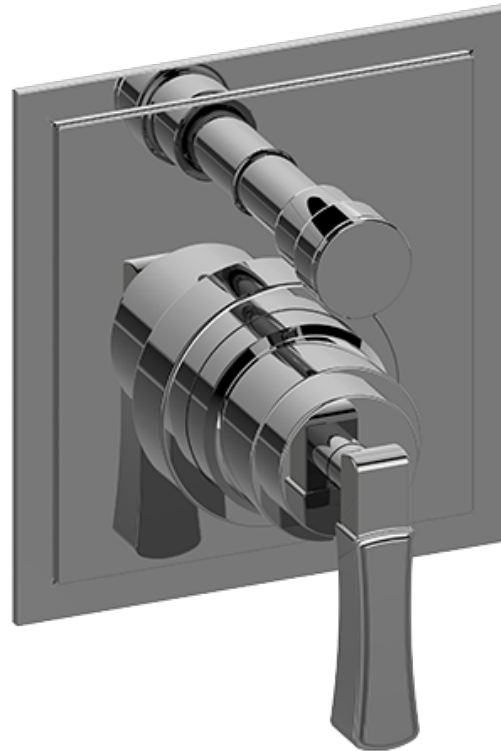
For complete warranty information go to [www.graff-faucets.com/en-nam/warranty](http://www.graff-faucets.com/en-nam/warranty)



The measurements shown are for reference only. Products and specifications shown are subject to change without notice. Revised 06/2014.

[www.graff-faucets.com](http://www.graff-faucets.com) | phone: 800-954-4723

SHOWER  
 Finezza Pressure Balancing Valve  
 Trim Plate with Handle and  
 Diverter  
**G-7085-LM47S-T**



**Information**

- Single metal handle and decorative trim plate
- Includes push-button diverter
- Use with G-7055 Pressure Balancing rough valve
- ADA

**Finishes**







# G-7085-LM47S-T

Finezza Collection

Pressure Balancing Valve Trim Plate with Handle and Diverter

**GRAFF**<sup>®</sup>  
CUTTING EDGE DESIGN



## Product Features

- Single metal handle and decorative trim plate
- Includes push-button diverter
- Use with G-7055 Pressure Balancing rough valve

## Available Finishes

- Polished Chrome  
G-7085-LM47S-PC-T
- Brushed Nickel  
G-7085-LM47S-BNi-T
- Polished Nickel  
G-7085-LM47S-PN-T
- Olive Bronze™  
G-7085-LM47S-OB-T

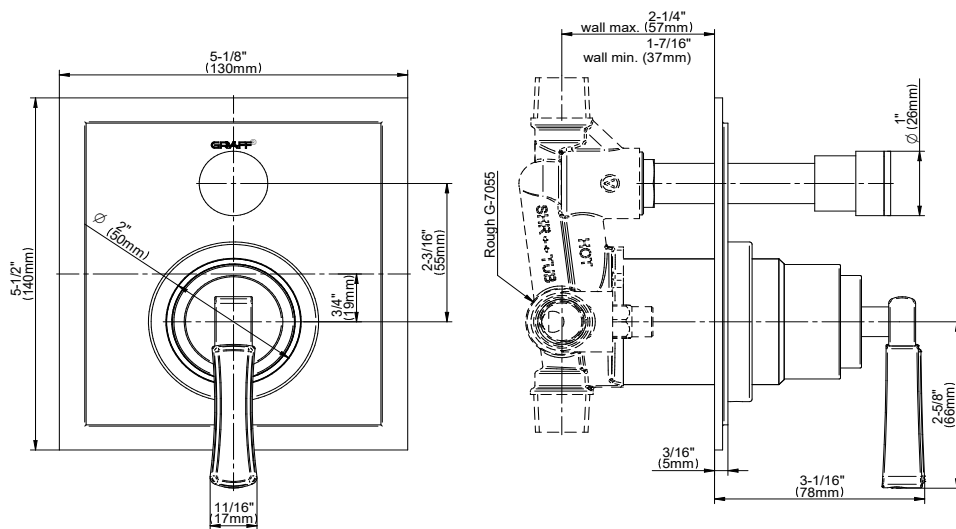
## Code Compliance

- ADA

## Warranty

- Limited lifetime warranty

For complete warranty information go to: [www.graff-faucets.com/en/info/faqs](http://www.graff-faucets.com/en/info/faqs)



The measurements shown are for reference only. Products and specifications shown are subject to change without notice. Revised 05/2017

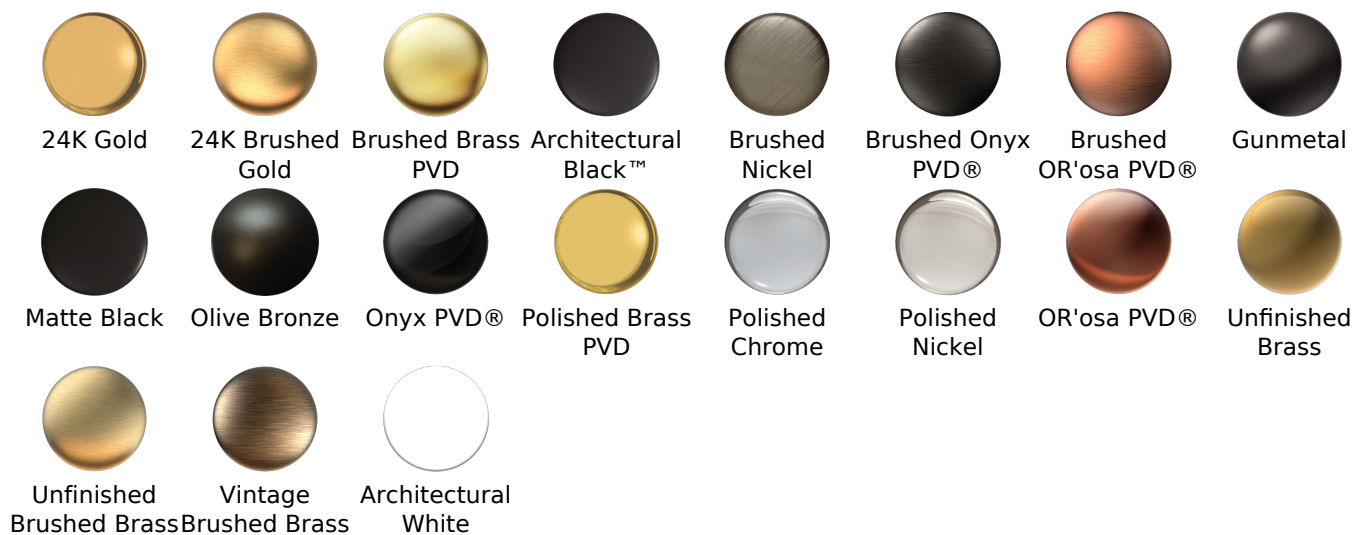
[www.graff-faucets.com](http://www.graff-faucets.com) | phone: 800-954-4723



**Information**

- 126 no-clog, easy-clean rubber spray nozzles
- Recommended use with ceiling shower arm
- Recommended for use at no more than 10 degrees tilt
- Showerhead flow rate ≤ 1.8 max gpm
- CALGreen

**Finishes**



## G-8406

Finezza Collection  
9" Rain Showerhead

**GRAFF**<sup>®</sup>  
CUTTING EDGE DESIGN

### Product Features

- Sunflower shape
- 126 no-clog, easy-clean rubber spray nozzles
- Showerhead flow rate < 1.8 max gpm

### Available Finishes

- Polished Chrome  
G-8406-PC
- Brushed Nickel  
G-8406-BNi
- Polished Nickel  
G-8406-PN
- Unfinished Brass\*  
G-8406-UB\*
- Olive Bronze  
G-8406-OB\*
- Gold\*  
G-8406-AU\*
- Brushed Gold\*  
G-8406-BAU\*

\* Special order finish- call for availability



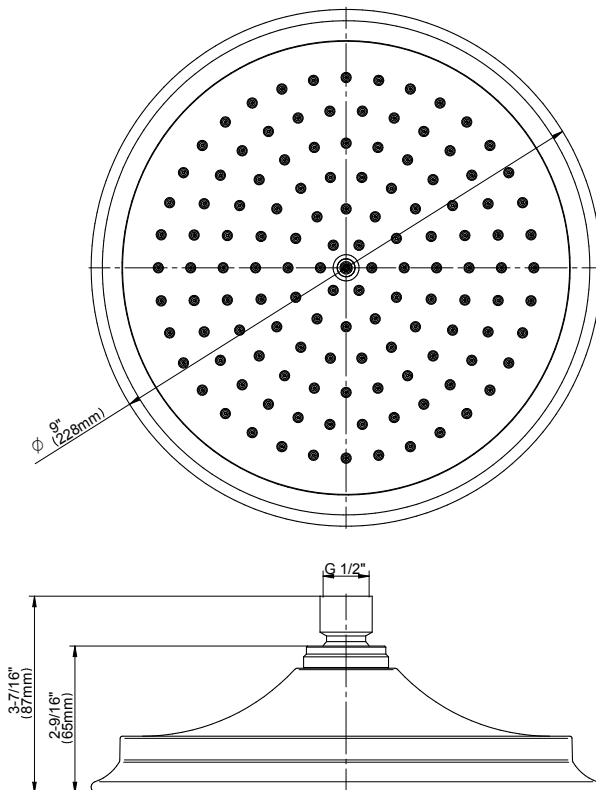
### Code Compliance

- CALGreen

### Warranty

- Limited lifetime warranty

For complete warranty information go to [www.graff-designs.com/en-nam/warranty](http://www.graff-designs.com/en-nam/warranty)



The measurements shown are for reference only. Products and specifications shown are subject to change without notice. Revised 12/2017

[www.graff-designs.com](http://www.graff-designs.com) | phone: 800-954-4723

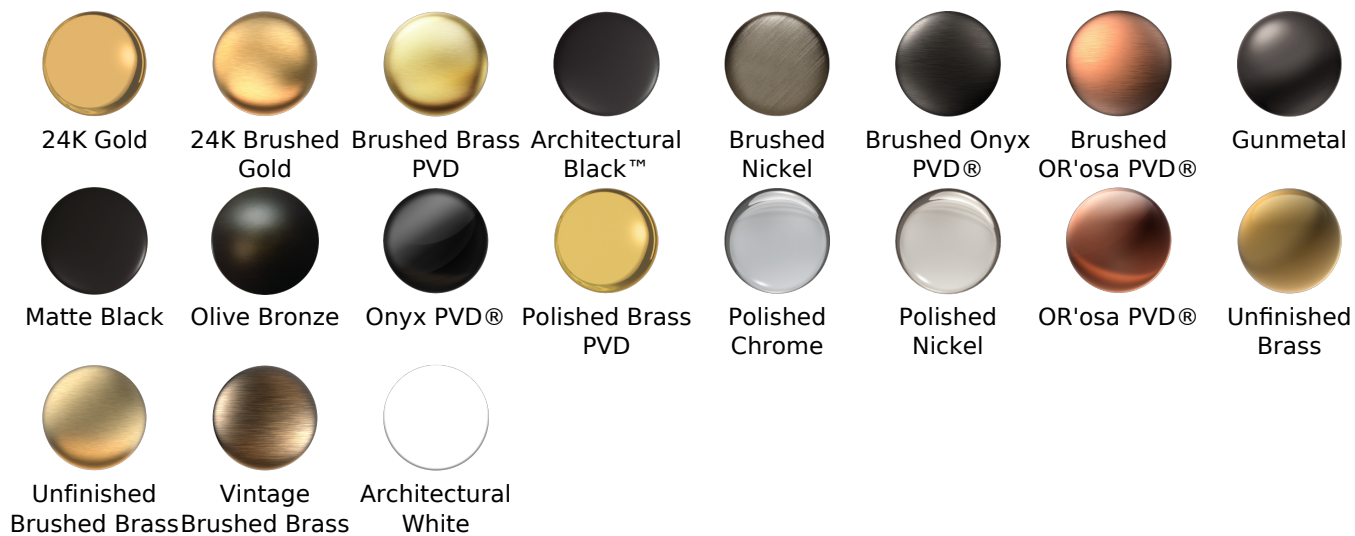
SHOWER  
 Finezza 12" Shower Arm  
**G-8513**



**Information**

- Includes arm and solid flange
- 1/2" NPT male thread inlet
- For use with all showerheads (especially G-8406)

**Finishes**



## G-8513

Finezza Collection  
12" Shower Arm

**GRAFF**<sup>®</sup>  
CUTTING EDGE DESIGN



### Product Features

- Includes arm and solid flange
- 1/2" NPT male thread inlet

### Available Finishes

- Polished Chrome  
G-8513-PC
- Brushed Nickel  
G-8513-BNi
- Polished Nickel  
G-8513-PN
- Olive Bronze™  
G-8513-OB

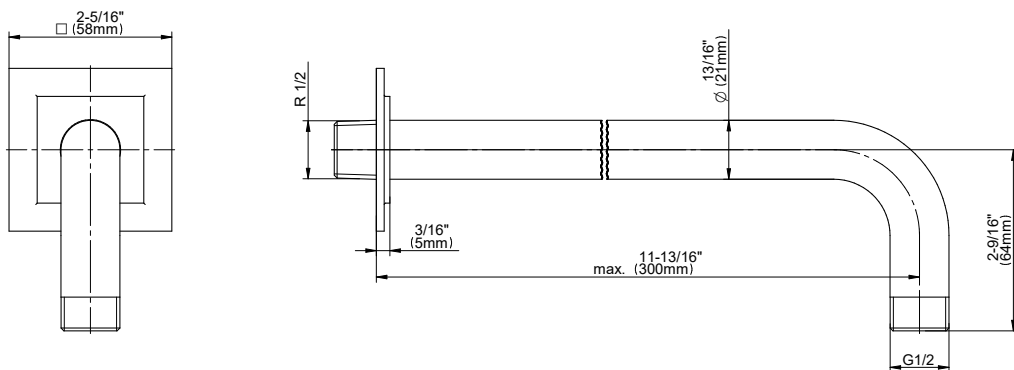
### Optional Accessories

- For use with all showerheads especially G-8406-\*\*

### Warranty

- Limited lifetime warranty

For complete warranty information go to: [www.graff-faucets.com/en/info/faqs](http://www.graff-faucets.com/en/info/faqs)



The measurements shown are for reference only. Products and specifications shown are subject to change without notice. Revised 01/2017

[www.graff-faucets.com](http://www.graff-faucets.com) | phone: 800-954-4723