
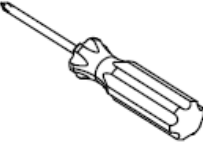

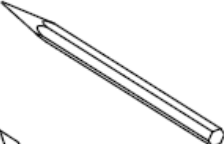

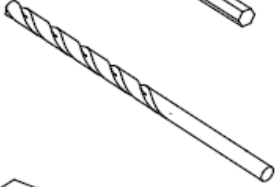

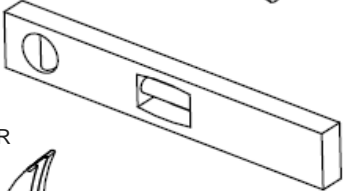

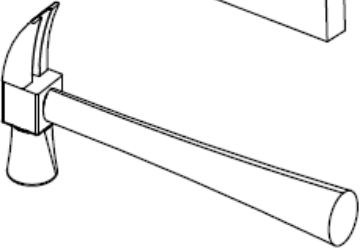

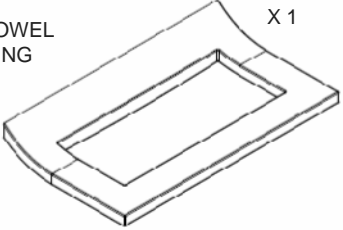


ITEMS INCLUDED	TOOLS REQUIRED
DRY WALL ANCHOR X 2 	PHILLIPS SCREW DRIVER 
TILE ANCHOR X 2 	PEN / PENCIL 
#8 SCREW X 2 	1/4" (6mm) DRILL 
MOUNTING BRACKET X 1 	LEVEL SET 
1/4-28 SET SCREW X 1 	HAMMER 
1/8" HEX KEY X 1 	
TOWEL RING X 1 	

CINU

INSTALLATION INSTRUCTIONS

4705-8

TOWEL RING

GINGER

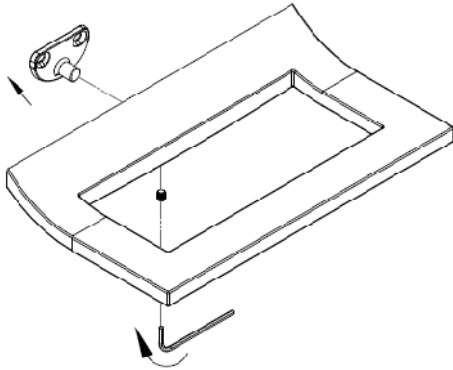
Luxury For Your Lifestyle™

2001 CARNEGIE AVE, SANTA ANA CA 92705

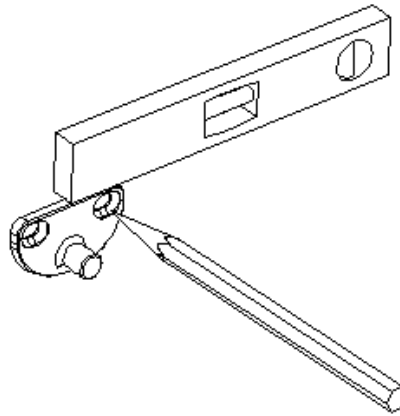
(949) 417-5207

WWW.GINGERCO.COM

① REMOVE MOUNTING BRACKET



② ALIGN MOUNTING BRACKET AND MOUNT LOCATION



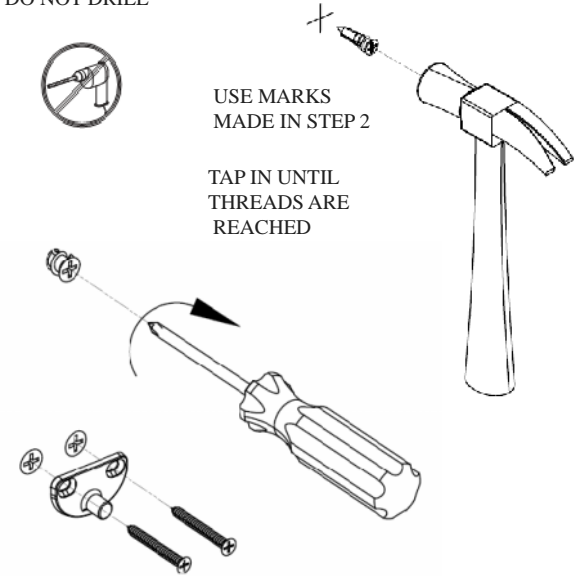
③ DRY WALL INSTALLATION

DO NOT DRILL



USE MARKS
MADE IN STEP 2

TAP IN UNTIL
THREADS ARE
REACHED

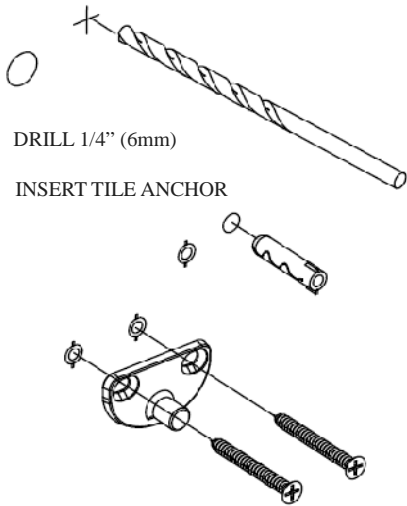


④ TILE OR SOLID WALL INSTALLATION

USE MARKS MADE IN STEP 2

DRILL 1/4" (6mm)

INSERT TILE ANCHOR



⑤ INSTALL PRODUCT ONTO BRACKET

SECURE WITH SET SCREW

