
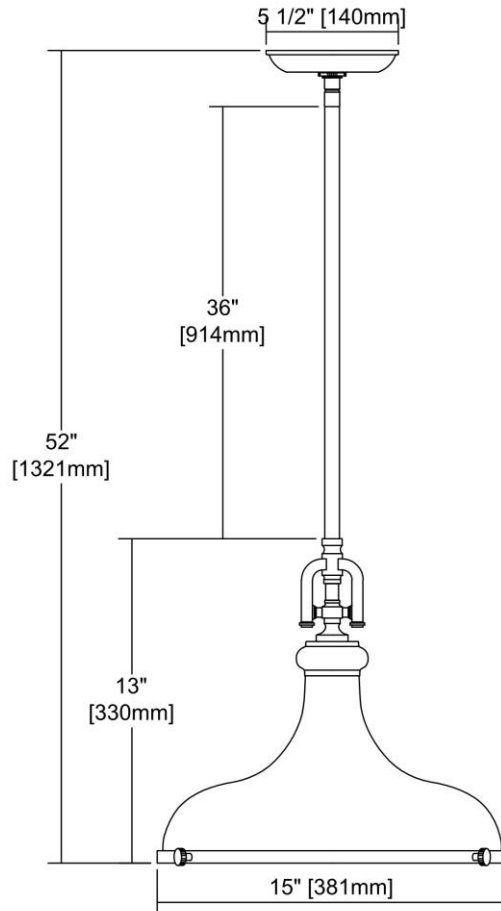


|   |                    |  |
|---|--------------------|--|
|  | <b>ITEM #:</b>     | 57062/1  |
|   | <b>UPC</b>         | 748119090221   |
|   | <b>Description</b> | Rutherford 1-Light Pendant in Oil Rubbed Bronze with Metal Shade |
|   | <b>Finish</b>      | Oil Rubbed Bronze  |
|   | <b>Materials</b>   | Metal  |
|   | <b>Brand</b>       | ELK Lighting   |
|   | <b>Collection</b>  | Rutherford   |
|   | <b>Category</b>    | Indoor Lighting  |
|   | <b>Type</b>        | Pendant  |

| ITEM DIMENSIONS              |           |             |     | RATINGS & SPECIFICATIONS        |                          |                |                        |     |
|------------------------------|-----------|-------------|-----|---------------------------------|--------------------------|----------------|------------------------|-----|
| <b>Width</b>                 | 18 inches |             |     | <b>Safety Rating</b>            | UL                       |                | <b>Certification</b>   | N/A |
| <b>Depth</b>                 | 18 inches |             |     | <b>ADA Compliant</b>            | N/A                      |                | <b>Voltage</b>         | N/A |
| <b>Height</b>                | 14 inches |             |     | <b>BULBS / SOCKETS</b>          |                          |                |                        |     |
| <b>Weight</b>                | 8 pounds  |             |     | <b>Quantity</b>                 | 1                        | <b>Wattage</b> | 100 watts              |     |
| <b>ADDITIONAL DIMENSIONS</b> |           |             |     | <b>Included</b>                 | No                       | <b>Type</b>    | A19 (E26 Medium Base)  |     |
| <b>Backplate / Canopy</b>    | 5.5x5.5   |             |     | <b>Other</b>                    | N/A                      |                |                        |     |
| <b>HCWO</b>                  | N/A       |             |     | <b>CHAIN / CORD INFORMATION</b> |                          |                |                        |     |
| <b>Min. Extension</b>        | N/A       |             |     | <b>Chain</b>                    | N/A                      |                | <b>Cord</b>            | N/A |
| <b>Max. Extension</b>        | N/A       |             |     | <b>SHADE / GLASS DETAILS</b>    |                          |                |                        |     |
| <b>OVERALL HEIGHT</b>        |           |             |     | <b>Shade/Glass Description</b>  | Diffuser and Metal Shade |                |                        |     |
| <b>Min.</b>                  | N/A       | <b>Max.</b> | N/A |                                 |                          |                |                        |     |
| <b>EXTENSION ROD(S)</b>      |           |             |     | <b>Width</b>                    | 18 inches                |                | <b>Height</b>          | N/A |
| Rods: 1-6, 1-12, 1-18        |           |             |     | <b>Width at Top</b>             | N/A                      |                | <b>Width at Bottom</b> | N/A |



Rev. 5/9/2019