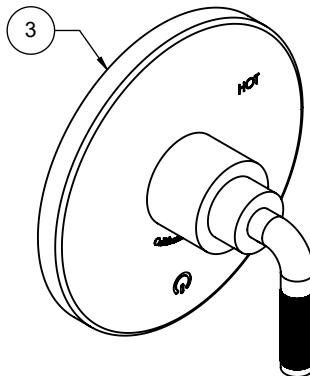
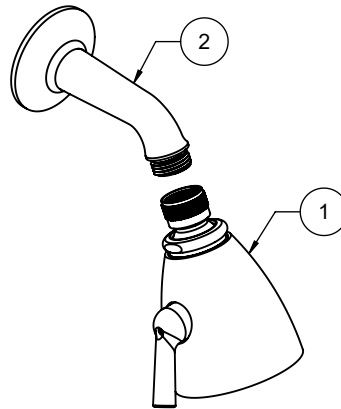




"ZZ" denotes finish, "FR" denotes flow rate

Item	Model	Description	Links
1	SH-04.FR-ZZ	2-1/2" 6 Jet Showerhead	Specification Sheet
2	SH-01-ZZ	One Piece 4" Shower Arm & Flange	Specification Sheet
3	TO-PBL-30K-ZZ	Pressure Balance Trim Only	Specification Sheet





California Faucets®

Showerhead

2-13/16" 6 JETS

Features

- 1/2" FIP inlet
- Brass construction
- 2-13/16" diameter
- Replace .FR with desired max flow rate:
 - SH-04.25 for 2.5 gpm
 - SH-04.20 for 2.0 gpm
 - SH-04.18 for 1.8 gpm
 - SH-04.15 for 1.5 gpm

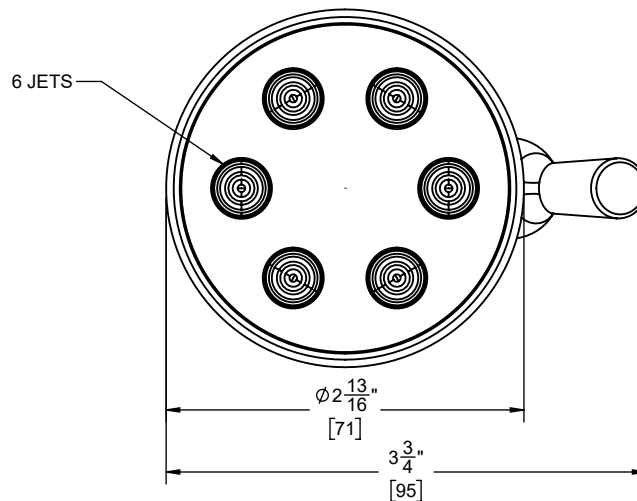
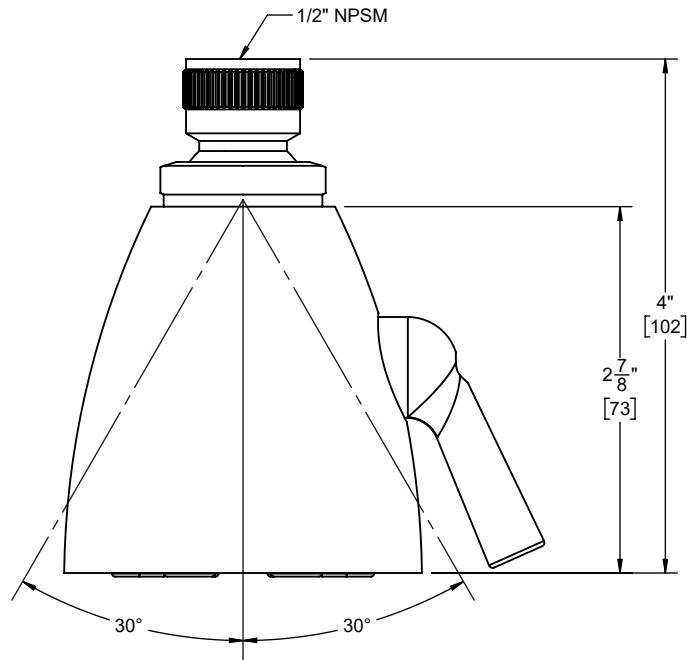
Codes/Standards

Product meets or exceeds the following:

- ASME A112.18.1/CSA B125.1
- CEC (1.8 & 1.5 gpm)
- DOE (2.5, 2.0, 1.8, & 1.5 gpm)
- Commonwealth of MA
- EPA WaterSense (2.0 & 1.5 gpm)

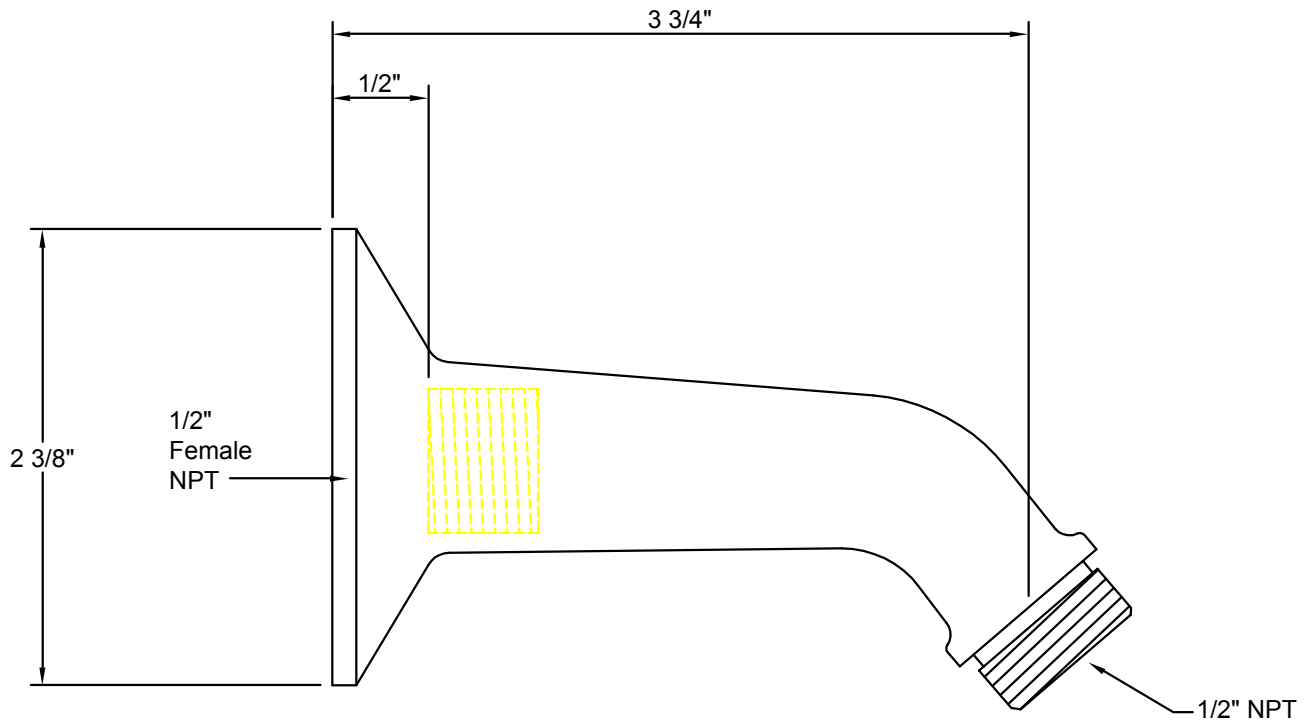


SH-04.25
SH-04.20
SH-04.18
SH-04.15



SPECIFICATIONS SUBJECT TO CHANGE WITHOUT NOTICE

DIMENSIONS SHOWN TO NEAREST 1/16"
[DIMENSIONS SHOWN TO NEAREST 1MM]



A Division of
California Faucets

Decorative Trim for Bath & Kitchen
info@calfaucets.com
www.calfaucets.com

5231 Argosy Drive
Huntington Beach, CA 92649

Tel: 714-891-7797
Fax: 714-891-2478
Toll Free: 800-822-8855

Fixture:

SH-01

Revision date: April 1, 2005

Date: October 1, 2004

Scale: None

Drawn by: William Linares
william@calfaucets.com

Technical Supervisor: Joe Mainberger



California Faucets®

Descanso™

1/2" PRESSURE BALANCE TRIM ONLY

Features

- Screwless faceplate
- 7-1/4" round faceplate
- Less head, arm, flange and spout
- Over 30 finishes including 15 PVD finishes

Codes/Standards

Product meets or exceeds the following:

- ASME A112.18.1/CSA B125.1
- ASSE 1016
- ADA compliant

**TO-PBL-30K
TO-PBL-30F**



(TO-PBL-30K SHOWN)

