



California Faucets®

Descanso®

WIDESPREAD LAVATORY FAUCET

Features

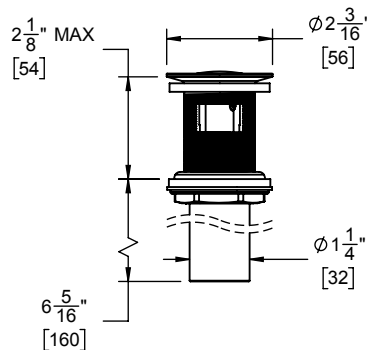
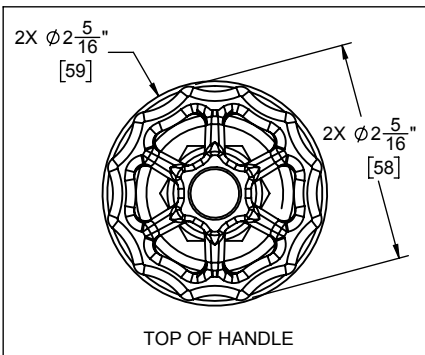
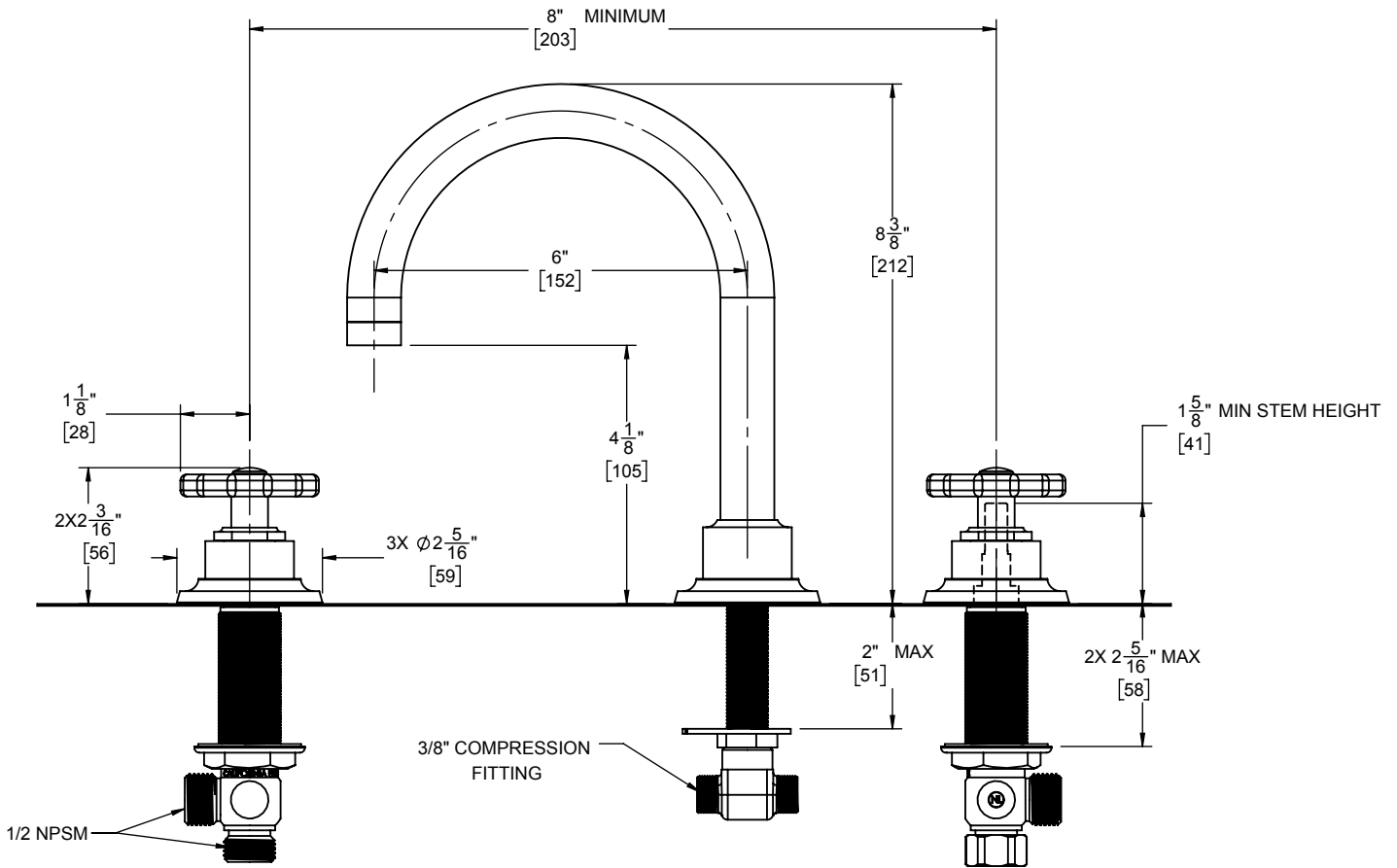
- Available in 28 finishes including 13 PVD Finishes
- All brass construction
- 6" spout center to center
- 1/4" turn ceramic disc cartridge(s)
- Flexible braided hoses for ease of installation
- Ø 1-1/4" all brass touch style pip up drain assembly
- 1.2gpm (4.5 L/min) max flow rate

Codes/Standards Applicable

Meets or exceeds the following at date of manufacture:

- ASME A112.18.1/CSA B125.1
- NSF/ANSI 61 & NSF/ANSI 372
- CEC / DOE
- EPA WaterSense High Efficiency Lavatory
- Commonwealth of MA

**3102W
3102WB
3102WR**



THROUGH-HOLE SPECIFICATIONS		
MIN	RECOMENDED	MAX
SPOUT: Ø 1" [25]	Ø 1-3/8" [35]	Ø 1-1/2" [38]
VALVE: Ø 1" [25]	Ø 1-3/8" [35]	Ø 1-1/2" [38]

SPECIFICATIONS SUBJECT TO CHANGE WITHOUT NOTICE

DIMENSIONS SHOWN TO NEAREST 1/16" [DIMENSIONS SHOWN TO NEAREST 1mm]