

F51M2-0900 SPECIFICATIONS

51 collection series 900 frameless mirror with LED perimeter lighting

FEATURES:

- Frameless mirror with soft LED perimeter lighting
- Discreet touch sensor switch on mirror face
- 110V strip LED 4.8 W/MT 4200K
- Integral channel on the back for ease of installation:
allows installer to adjust brackets to hit studs accordingly
- Italian-crafted for superior quality

SPECIFICATIONS:

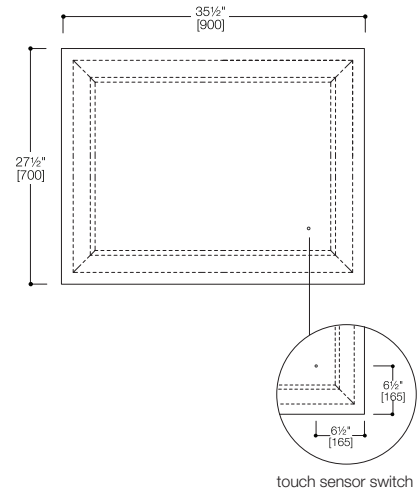
Dimensions:	(WHD) 35½" x 27½" x 1" (900mm x 700mm x 26mm)*
Weight:	16.5lbs (7.5kg)*
Warranty:	Five Year Limited Warranty (Residential) One Year Warranty (Commercial)
Shipping Weight:	23.1lbs (10.5kg)*
Shipping Dimensions:	(WHD) 37½" x 29½" x 2¼" (950mm x 750mm x 60mm)*

INSTALLATION NOTES:

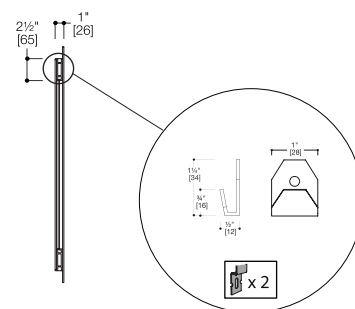
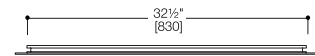
Install this product according to the installation guide.
Our products must be installed by professionals only and according to our installation guide as well as federal, provincial / state and local building codes and regulations.

CODES:

- Meets or exceeds UL/ULC, and CSA requirements
- CSA 22.2
- UL/ULC 962
- UL/ULC 8750



touch sensor switch



*Approximate measurements for comparison only.
Note: These dimensions and specifications are subject to change without notice.