

F45M1-0700 SPECIFICATIONS

45° collection series 700 mirror with LED lighting

FEATURES:

- Framed mirror with soft LED perimeter lighting
- Discreet touch sensor switch on mirror face
- 110V strip LED 9.6W/MT RV4200K
- Unique 45 degree join on all four angles
- Frosted edging around mirror perimeter
- Integral channel on the back for ease of installation: allows installer to adjust brackets to hit studs accordingly
- Made of IDROLEB ECOLOGICAL PANEL with the lowest formaldehyde emissions in the world
- IDROLEB also ensures defence against humidity
- Italian-crafted for superior quality

SPECIFICATIONS:

Dimensions:	(WHD) 27½" x 27½" x 1½" (700mm x 700mm x 40mm)*
Weight:	18.7lbs (8.5kg)*
Materials:	Natural Oak: MDF with veneered oak finish White/Black Lacquer: MDF
Warranty:	Five Year Limited Warranty (Residential) One Year Warranty (Commercial)
Shipping Weight:	23.1lbs (10.5kg)*
Shipping Dimensions	(WHD) 29½" x 29½" x 2¼" (750mm x 750mm x 60mm)*

STOCKED COLOR/FINISH:

Wood Lacquer

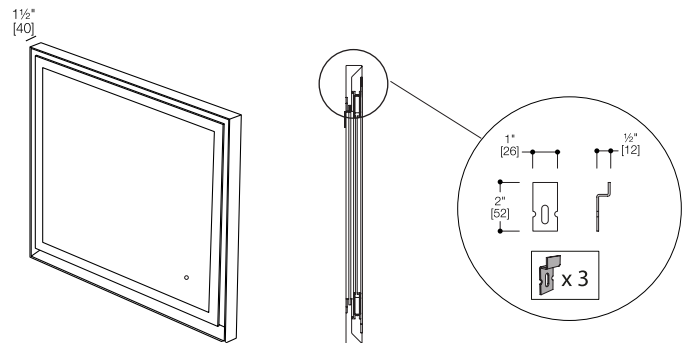
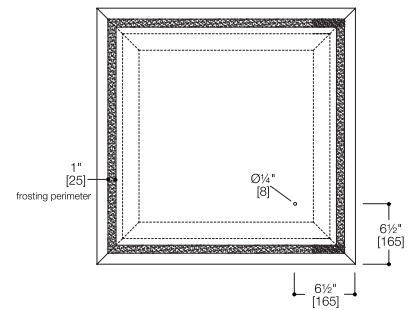
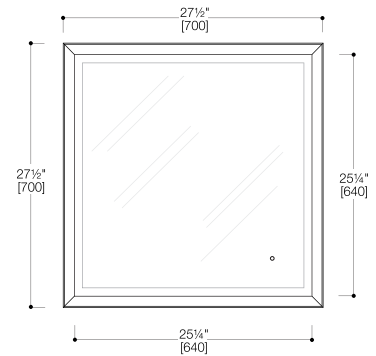
02 Natural Oak	01M White Matte	04M Black Matte
----------------------	-----------------------	-----------------------

INSTALLATION NOTES:

Install this product according to the installation guide. Our products must be installed by professionals only and according to our installation guide as well as federal, provincial / state and local building codes and regulations.

CODES:

- Meets or exceeds UL/ULC, and CSA requirements
- CSA 22.2
- UL/ULC 962
- UL/ULC 8750



*Approximate measurements for comparison only.
Note: These dimensions and specifications are subject to change without notice.