

TW120 SPECIFICATIONS

push button waste without overflow

FEATURES:

- Modern styling
- Durable finishes
- Brass body
- Push-top mechanism without overflow
- Shrouded threads & tailpiece included

SPECIFICATIONS:

Warranty: Lifetime Limited Warranty (Residential)
One Year Warranty (Commercial)

Material: Solid cast brass

FINISHES:

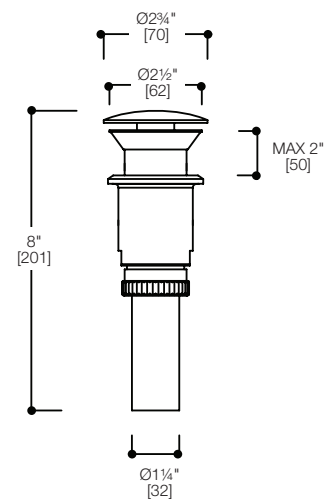
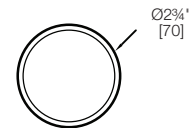
Polished chrome

CODES / STANDARDS APPLICABLE:

- Meets or exceeds ANSI / ASME standard
- IAPMO / UPC / cUPC

INSTALLATION NOTES:

Install this product according to the installation guide.
Our products must be installed by certified professionals only
and according to our installation guide as well as federal,
provincial / state and local building codes and regulations.



*Approximate measurements for comparison only.
Note: These dimensions and specifications are subject to change without notice.