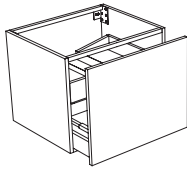
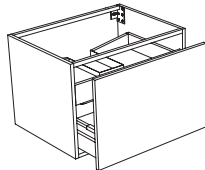


# 51 wall-mount vanities

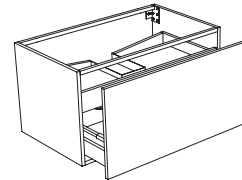
## Installation Guide



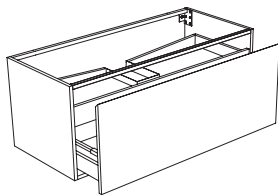
**series 600**  
F51V1-0600



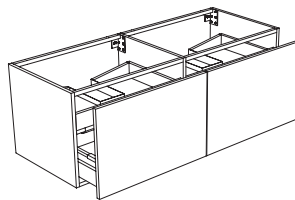
**series 700**  
F51V1-0700



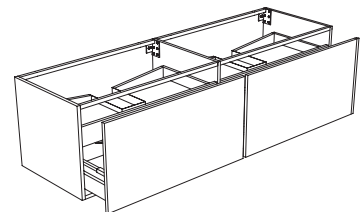
**series 900**  
F51V1-0900



**series 1200**  
F51V1-1200



**series 1400**  
F51V1-1400



**series 1800**  
F51V1-1800

# Attention — Before Installation

Thank you for choosing from among Blu's quality line of products. We recommend that you carefully read this installation guide to ensure your vanity's proper operation and reliability for many years to come.

**NOTE:** Product is already optimized/preset for best drawer fitting - only minor adjustments may be needed. Adhere to all local building and plumbing codes. The diagrams in this guide are not construction plans. They are visual aids.

## Installation Requirements

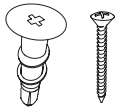
Please read the instructions carefully so as to avoid any damage to the fixture.

1. To ensure this product is installed properly, you must read and follow these guidelines.
2. The owner/user of the product must keep this information for future reference.
3. Consult local building codes to make sure the installation complies with standards.
4. Remove the unit from its packaging. Before disposing of it, inspect the unit to make sure its in good shape. Should inspection reveal any damage or defect in the finish, contact your distributor. The warranty does not cover damages or defects in the finish once it has been installed. Blu Bathworks' responsibility for shipping damages ceases upon delivery of the product in good order to the carrier. All complaints regarding damage due to transport must be made directly to the carrier.
5. Place the unit in the bathroom before you start working. Conserve all nuts and bolts.
6. To protect the unit during installation, we recommend that you lay a piece of cardboard on the bottom.
7. If the unit is covered with polyethylene protective film, do not remove until installation is complete to grant maximum protection. However, remove film where any two surfaces will be in permanent contact.
8. Verify that all dimensions on the plan are the same as the ones of the unit.
9. Review specification sheet for each individual SKU for wall blocking/backing reinforcement.

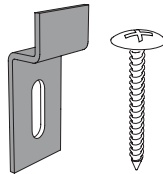
## Installation Notes

Important! Install this product according to the installation guide.

### Supplied:



dowel for plaster x2 (700, 900, 1200)  
dowel for plaster x4 (1400, 1800)



hanger & screw x2 (700, 900, 1200)  
hanger & screw x4 (1400, 1800)



screw x2 (700, 900, 1200)  
screw x4 (1400, 1800)

## Technical Support Assistance

If further assistance is required, please contact:

Product Support at 1.866.907.0122 (09:00 – 17:00hrs PST) or email [technical@blubathworks.com](mailto:technical@blubathworks.com)

### North America

Blu Bathworks Inc.

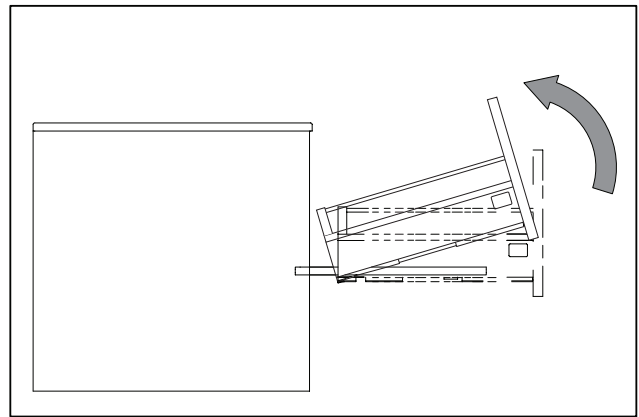
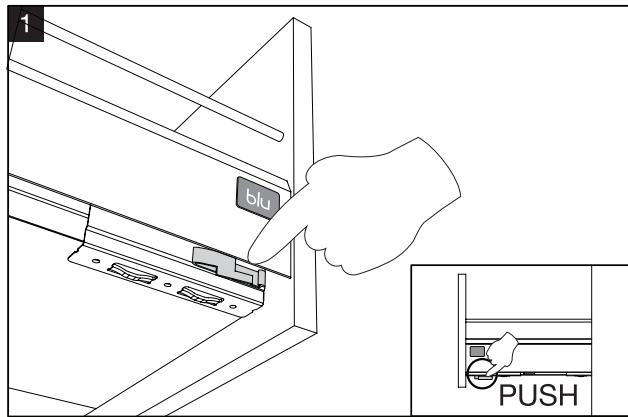
188 Smithe Street, Vancouver, BC, Canada, V6B 6A9

T +1.604.299.0122 F +1.604.299.0125

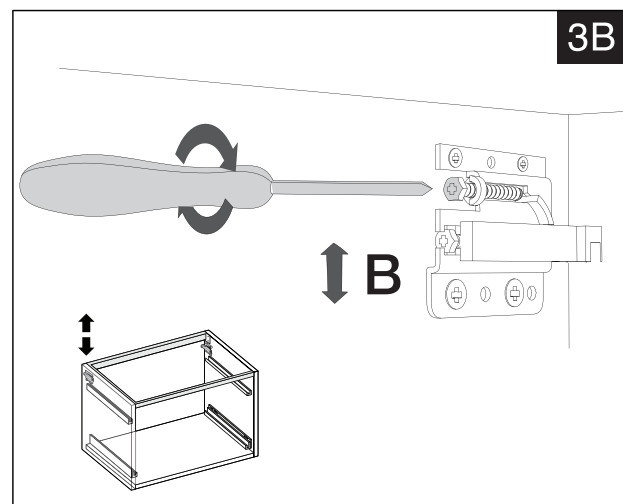
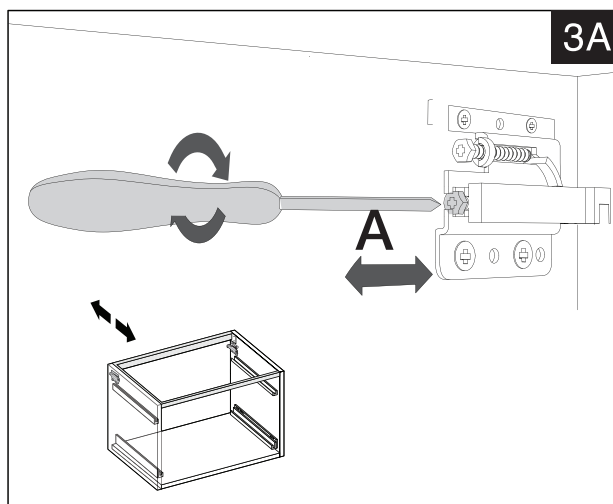
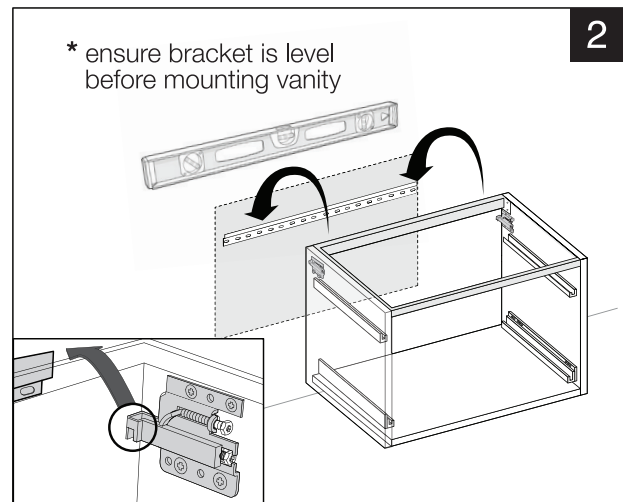
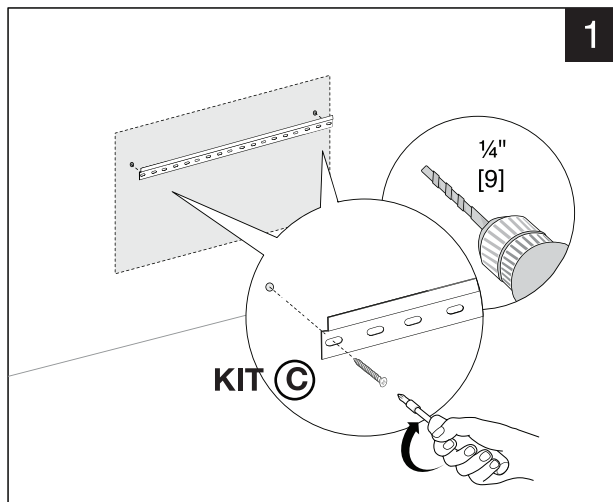
Please refer to [blubathworks.com](http://blubathworks.com) for warranty, terms & conditions under warranty & procedure for warranty service.

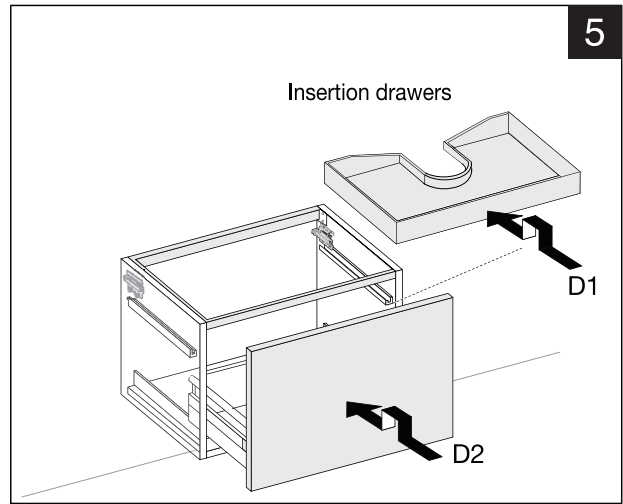
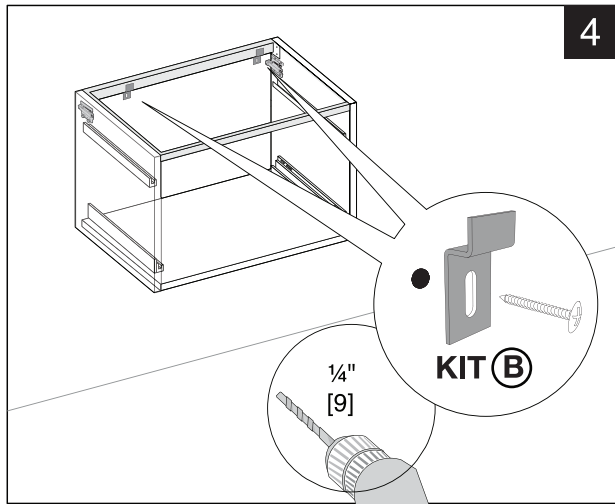
# Before Installation - unhook drawer(s):

Push the two grey tabs on both sides beneath the drawer at the same time and lift the drawer



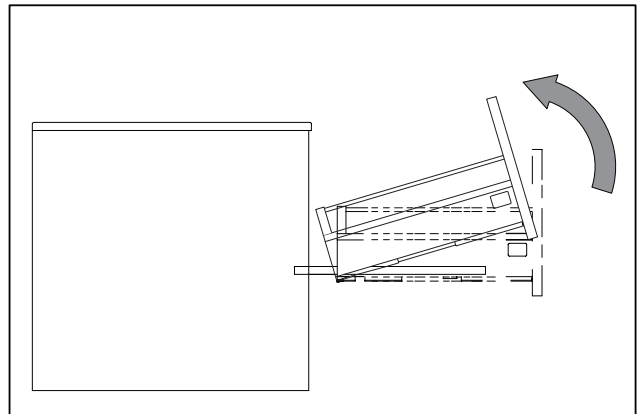
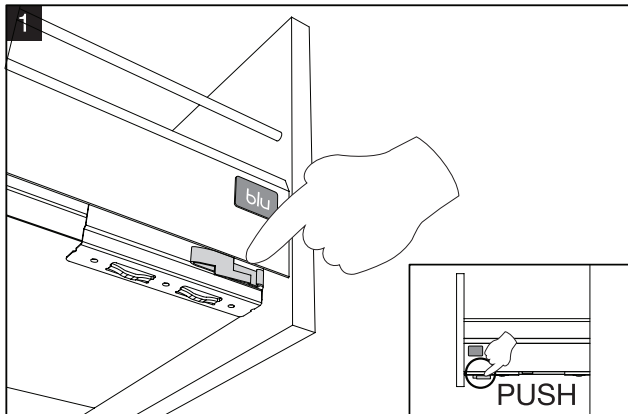
# Installation:





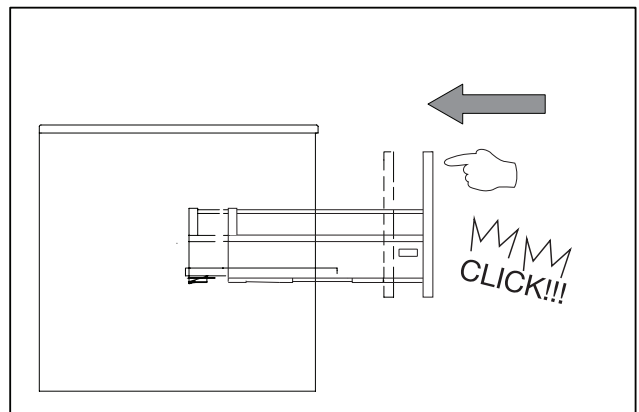
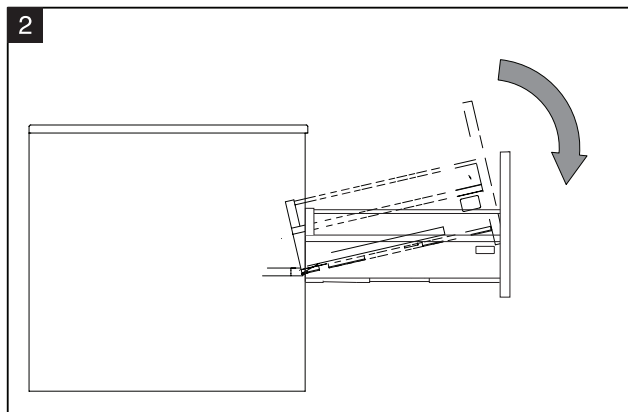
## How to Unhook the Drawer:

Push the two grey tabs on both sides beneath the drawer at the same time and lift the drawer



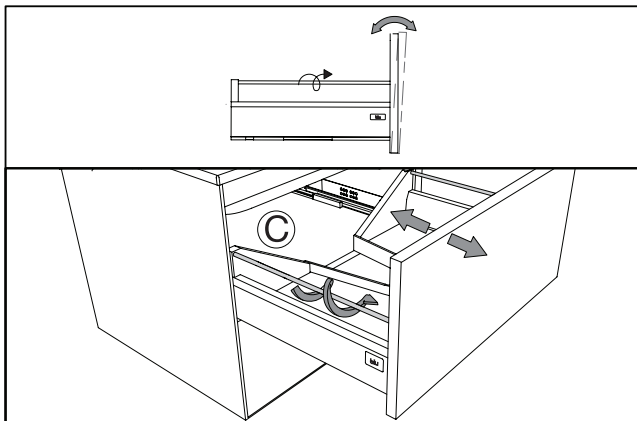
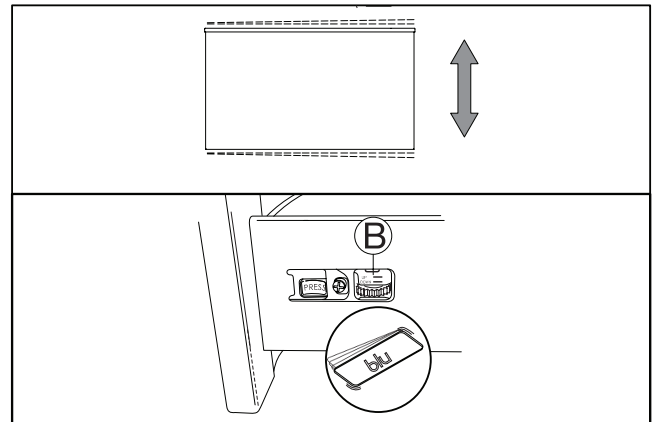
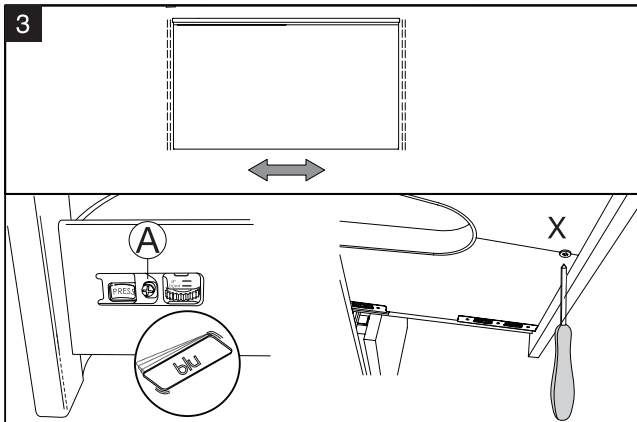
## How to Hook the Drawer:

Put the drawer on the runners and pull on the white tabs on both sides beneath the drawer part until they click closed



# Regulation of the Front of the Drawer:

- A** To adjust the front of the drawer to the left or to the right, unlock the pivot under the drawer (X), turn the screw on the right side of the drawer
- B** To move the front side of the drawer higher or lower turn the metal gear on both sides of the drawer
- C** To align the front side of the drawer, turn the indicated bar as required:
  - Clockwise adjusts the drawer front backwards
  - Counter-clockwise adjusts the drawer front forwards



Remove the lateral plate

# Care and Maintenance

## Hard Surface Technology (HST) finish

Clean with a soft cloth or humid non-abrasive sponge using neutral and non-abrasive detergents. Rinse the surface carefully after cleaning. Do not use aggressive chemical solvents, such as acetone, trichloroethylene, solvents, wax, bleach or chlorine. Accurately dry the surfaces after use.

## Lacquered finish

Clean with a soft cloth or humid non-abrasive sponge using neutral and non-abrasive detergents. Rinse the surface carefully after cleaning. Do not use aggressive chemical solvents, such as acetone and trichloroethylene. In case of persistent stains, use a soft cloth with neutral soap or products suitable for cleaning windows only on glossy lacquered surfaces. Do not use ammonia. We recommend testing any product on the internal side of the surface, e.g. in a corner, before using it on the outer surface. Accurately dry the surfaces after use.