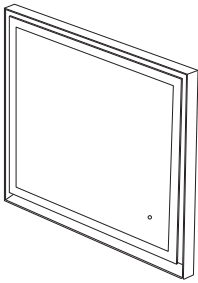


# 45° mirrors

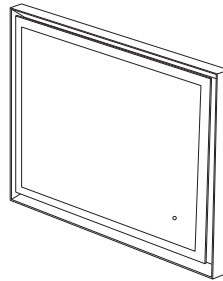
## Installation Guide

**series 700**



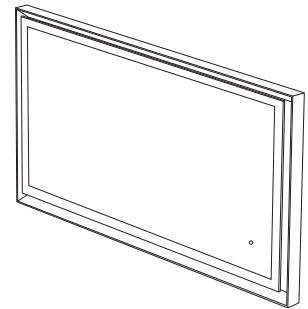
F45M1-0700

**series 900**



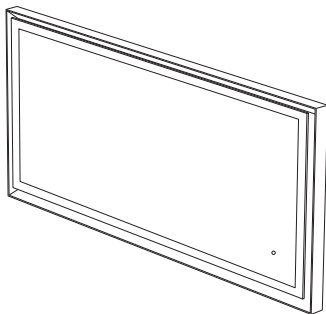
F45M1-0900

**series 1200**



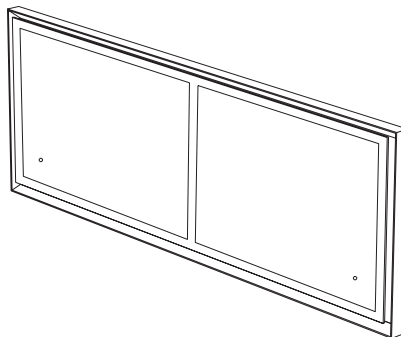
F45M1-1200

**series 1400**



F45M1-1400

**series 1800**



F45M1-1800

# Attention - Before Installation

Thank you for choosing from among Blu's quality line of products. We recommend that you carefully read this installation guide to ensure your unit's proper operation and reliability for many years to come.

**NOTE:** Product is already optimized/preset for best drawer fitting - only minor adjustments may be needed. Adhere to all local building and plumbing codes. The diagrams in this guide are not construction plans. They are visual aids.

## Installation Requirements

Please read the instructions carefully so as to avoid any damage to the fixture.

1. To ensure this product is installed properly, you must read and follow these guidelines.
2. The owner/user of the product must keep this information for future reference.
3. Consult local building codes to make sure the installation complies with standards.
4. Remove the unit from its packaging. Before disposing of it, inspect the unit to make sure its in good shape. Should inspection reveal any damage or defect in the finish, contact your distributor. The warranty does not cover damages or defects in the finish once it has been installed. Blu Bathworks' responsibility for shipping damages ceases upon delivery of the product in good order to the carrier. All complaints regarding damage due to transport must be made directly to the carrier.
5. Place the unit in the bathroom before you start working. Conserve all nuts and bolts.
6. To protect the unit during installation, we recommend that you lay a piece of cardboard on the bottom.
7. If the unit is covered with polyethylene protective film, do not remove until installation is complete to grant maximum protection. However, remove film where any two surfaces will be in permanent contact.
8. Verify that all dimensions on the plan are the same as the ones of the unit.

## Installation Notes

Important! Install this product according to the installation guide.

### Tools Required:



phillips screwdriver

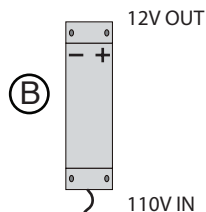


level

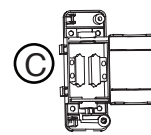


drill

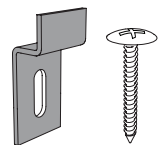
### Materials Included:



transformer



terminal



hanger & screw

## Technical Support Assistance

If further assistance is required, please contact:

Product Support at 1.866.907.0122 (09:00 – 17:00hrs PST) or email [technical@blubathworks.com](mailto:technical@blubathworks.com)

### North America

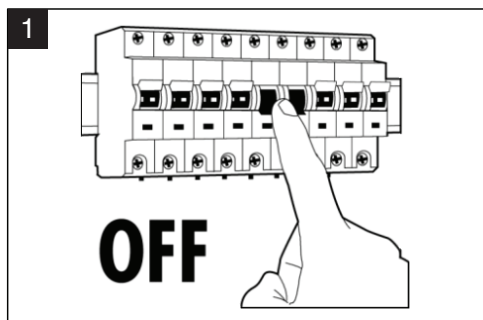
Blu Bathworks Inc.

188 Smithe Street, Vancouver, BC, Canada, V6B 6A9

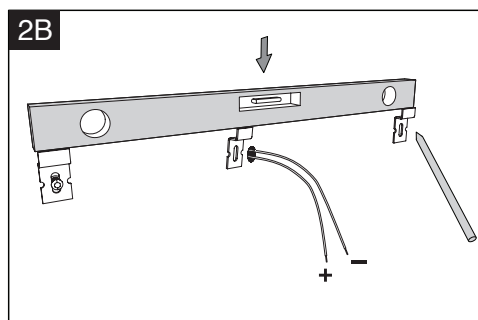
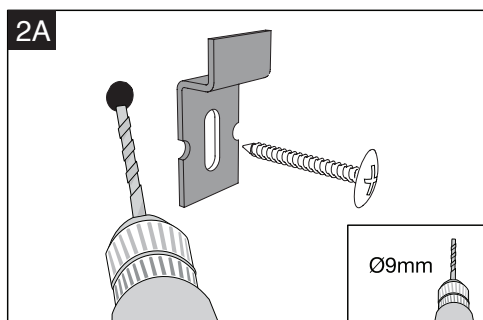
T +1.604.299.0122 F +1.604.299.0125

Please refer to [blubathworks.com](http://blubathworks.com) for warranty, terms & conditions under warranty & procedure for warranty service.

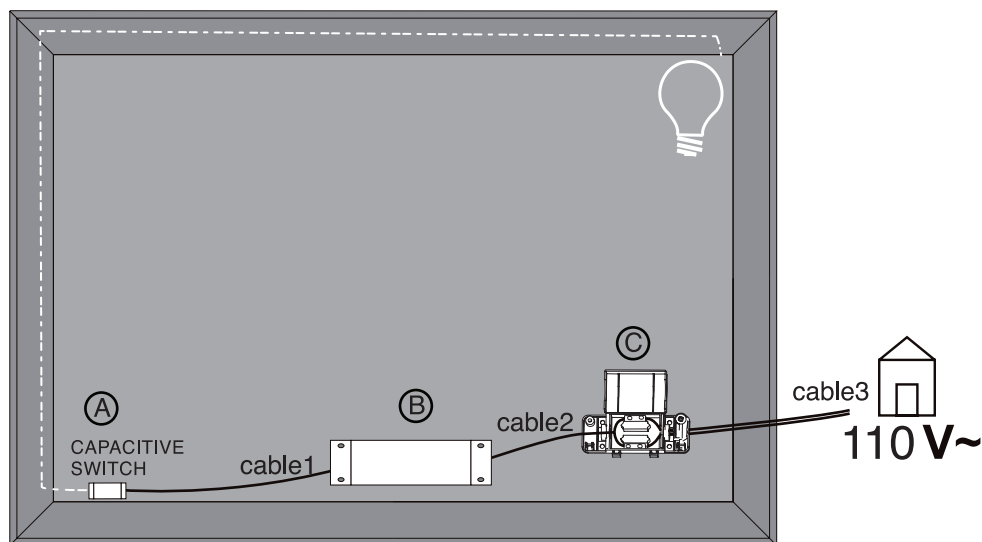
# 45° Mirror Installation:



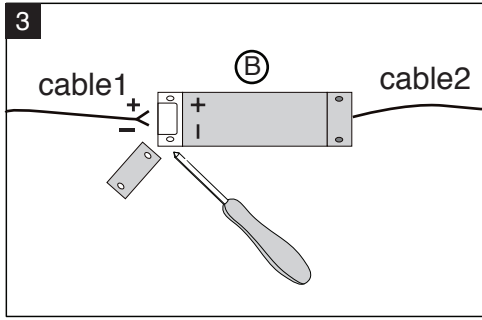
Disconnect electrical power from the main switchboard



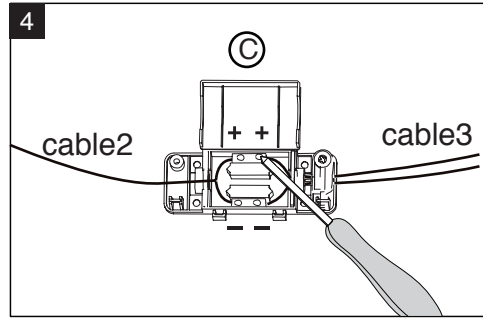
Fasten the metal hooks using a level



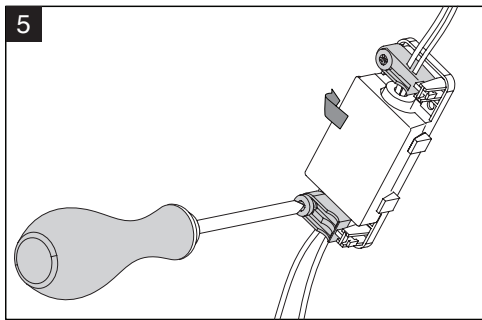
# 45° Mirror Installation continued:



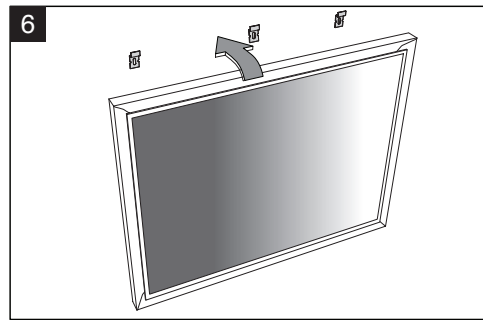
From the capacitive switch, connect the cable 1 to the transformer B, paying attention to the + and - signs of the two poles



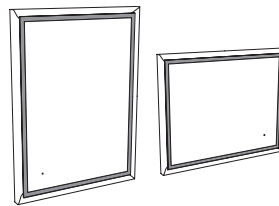
Connect the cable 2 of the transformer B to the terminal C and the cable 3 of the household power



Close the terminal and fasten it as shown in the drawing



Assemble the mirror making sure to have perfectly fastened the frame to the wall hangers



**NOTE:** mirror can be mounted vertically following the instructions as above.