

**AYANNA 59"
SLIPPER RESIN
FREESTANDING TUB**

Cat. No.
RTSN59-WH
RTSN59-WHGL



L: 59"
W: 25-1/2"
H: 24 and 28-3/4" (to top of tub)

Water depth: 16-3/8" to overflow

Features:

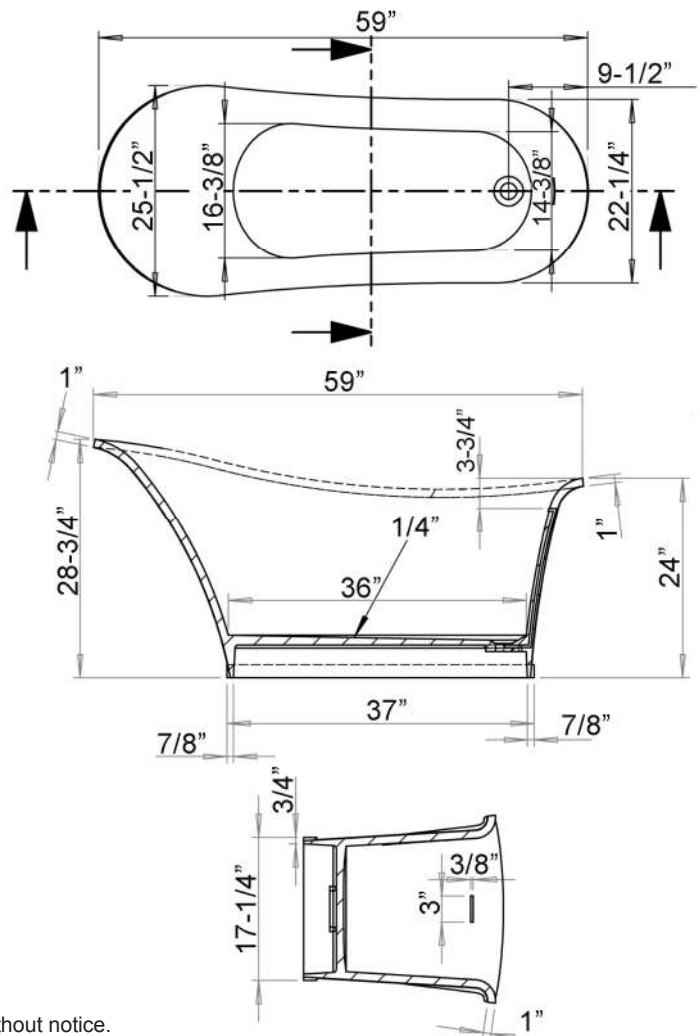
- ▶ Poly-resin blend is the same color throughout
- ▶ A ornamental on both side of tub
- ▶ Available in gloss or matte finish
- ▶ No faucet holes
- ▶ Built-In Adjusters
- ▶ Overflow slot
- ▶ Includes pop-up drain
- ▶ Tub is thoroughly inspected before shipment

Tub Colors:

WH White
WH-GL Gloss

The following is recommended for
RTSN59-WH & RTSN59-WHGL tubs:
•Faucets: part #7901 or 7913

Gallon Capacity: 44
Shipping Weight: 331 lbs.
Empty Weight: 231 lbs.
Filled Weight: 599 lbs.



Dimensions of fixture are nominal and specifications subject to change without notice.