

artos[®]

PS145

premier series shower set

OPERATING SPECIFICATIONS



FEATURES

Solid Brass
2-Outlets

INCLUDES

F903B-60TK
F907-70
F402-10

OPERATING PRESSURE

Minimum: 15 psi
Maximum: 75 psi
Above 90psi it may be necessary to install a pressure reducer

OPERATING TEMPERATURE

Maximum: 176°

FLOW CAPACITY

Shower Head: 1.8 USGPM
Tub Filler: 6.1 GPM

APPROVAL



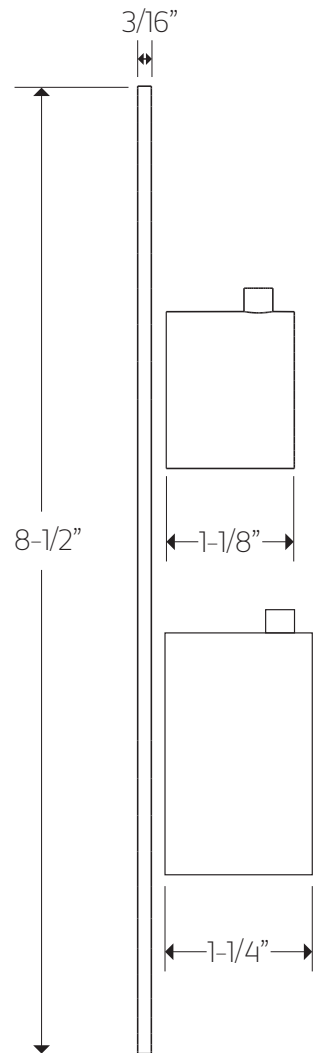
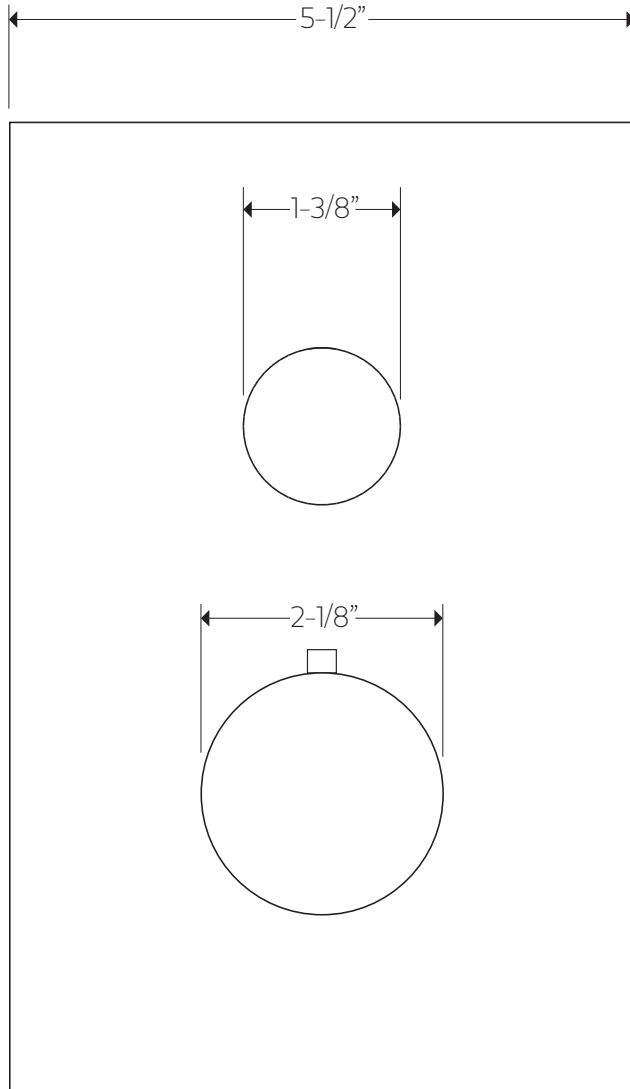
artos[®]

PS145

premier series shower set

PRODUCT DIMENSIONS

for trim kit



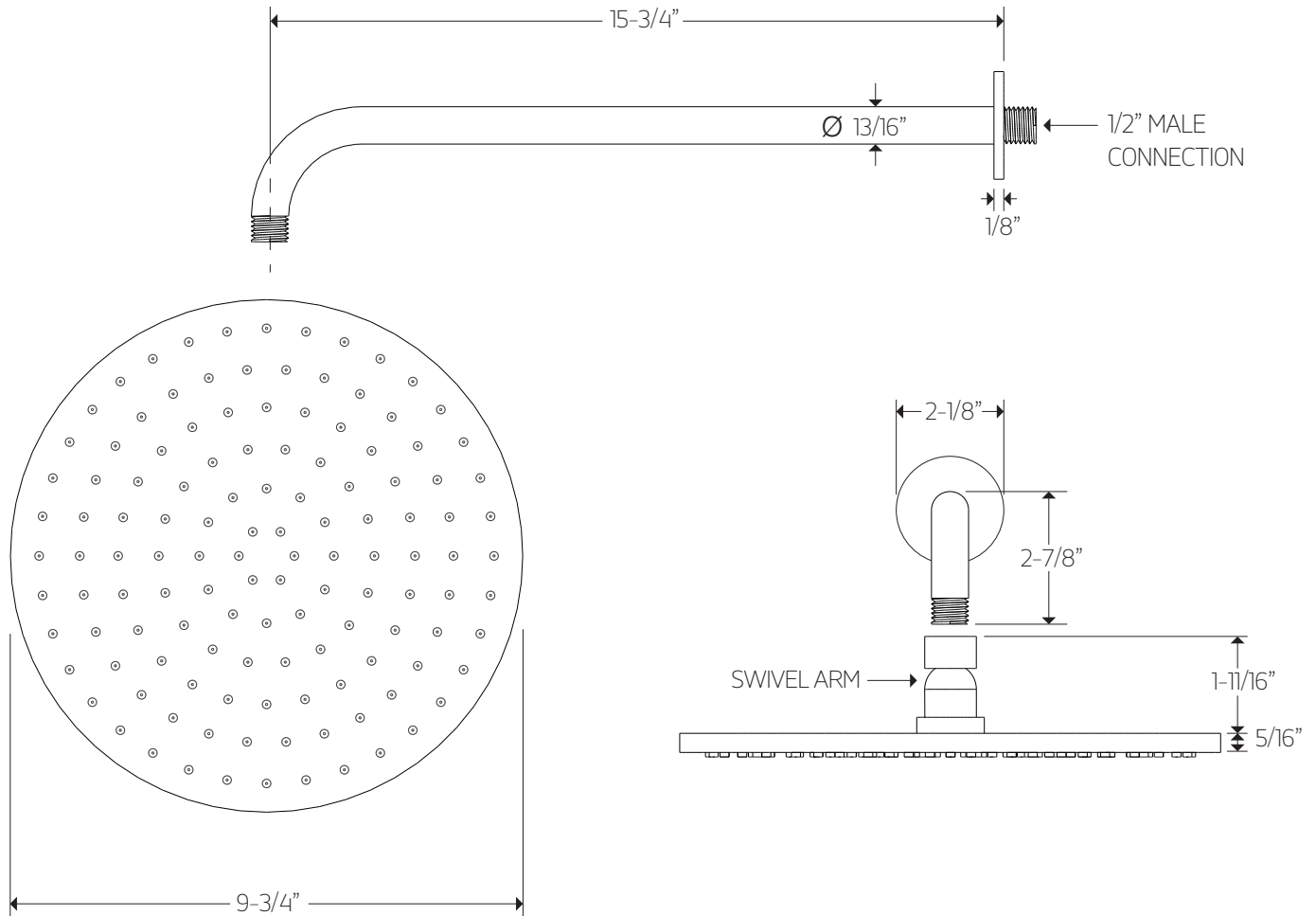
artos[®]

PS145

premier series shower set

PRODUCT DIMENSIONS

for shower head



artos[®]

PS145

PRODUCT DIMENSIONS

premier series shower set

for tub filler

