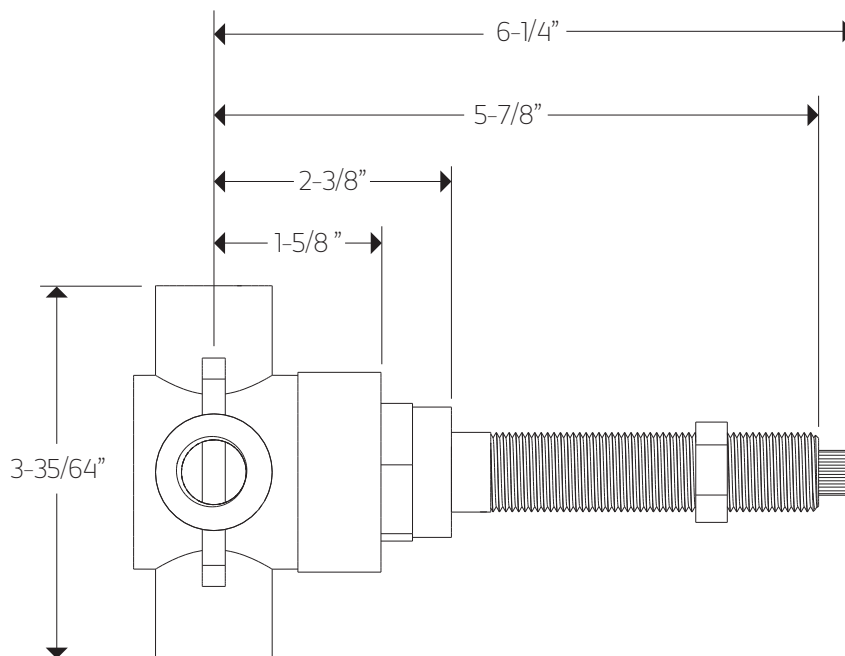
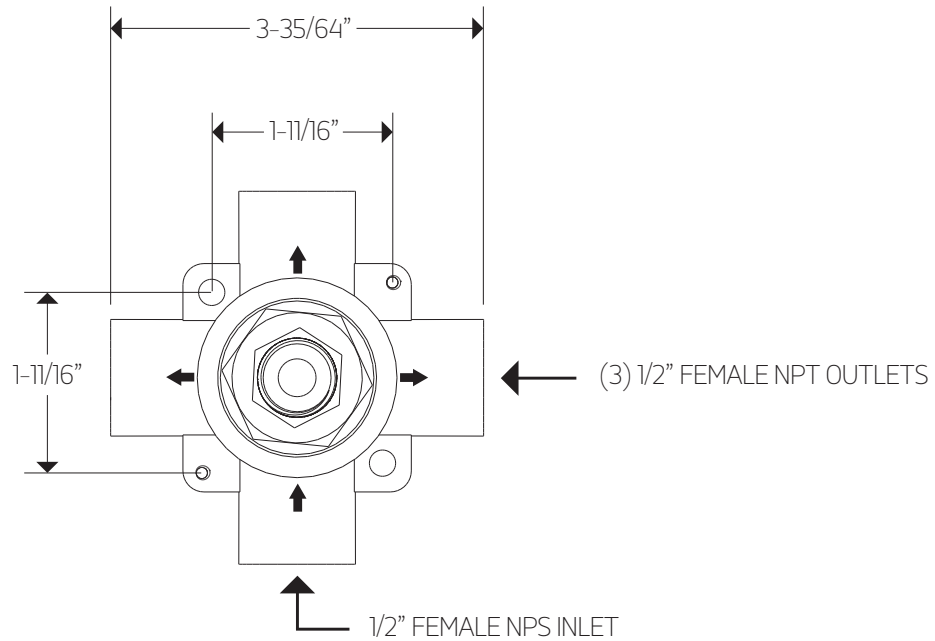


F909A-V0

TECHNICAL DATA SHEET

3-way diverter+off position



artos

F909A-V0

OPERATING SPECIFICATIONS

3-way diverter+off position



OPERATING PRESSURE

Minimum: 20 psi

Maximum: 125 psi

Recommended: 30-95 psi

FLOW CAPACITY

6.9USGPM@60 psi

INLET/OUTLET

(3) 1/2" Female NPT

(1) 1/2" Female NPS

STANDARDS

ASSE 1016.ASME A112.18.1/CSA B123.1 Certified

CODES

CUPC Approved